



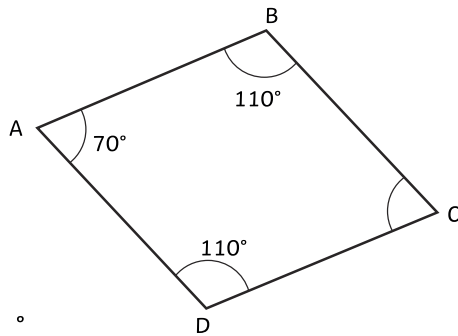
Quadrilaterals

I can compare, classify and find unknown angles in quadrilaterals.



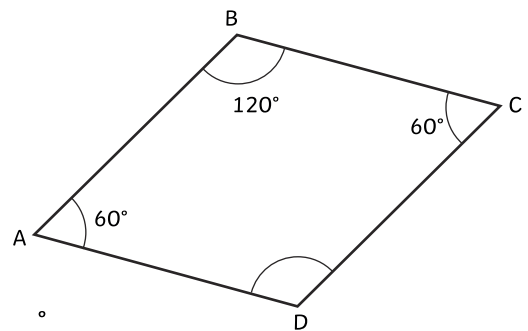
Calculate the missing angles:

1. Find the missing angle in this rhombus:



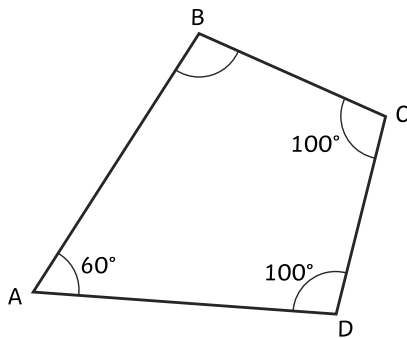
C = _____ $^\circ$

2. Find the missing angle in this parallelogram:



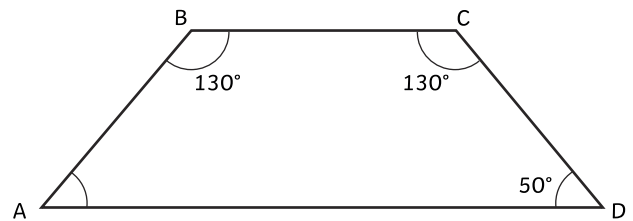
D = _____ $^\circ$

3. Find the missing angle in this kite:



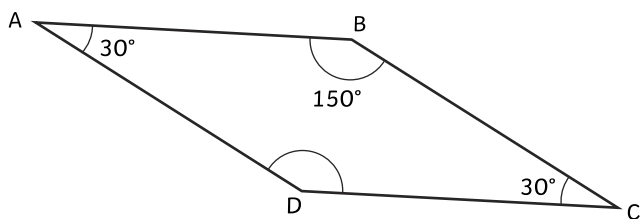
B = _____ $^\circ$

4. Find the missing angle in this trapezium:



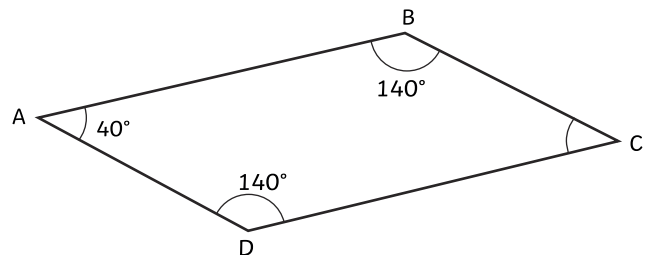
A = _____ $^\circ$

5. Find the missing angle in this rhombus:



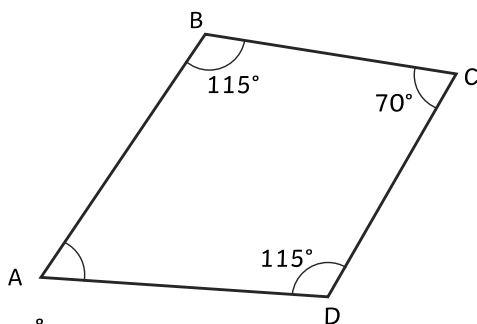
D = _____ $^\circ$

6. Find the missing angle in this parallelogram:



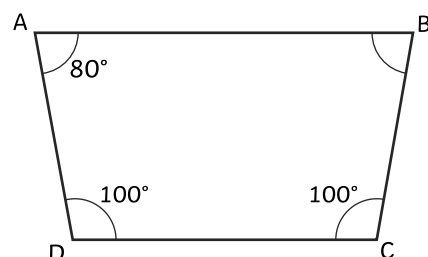
C = _____ $^\circ$

7. Find the missing angle in this kite:



A = _____ $^\circ$

8. Find the missing angle in this trapezium:



B = _____ $^\circ$

Quadrilaterals

I can compare, classify and find unknown angles in quadrilaterals.



Calculate the missing angles:

<p>1.</p> <p>D = _____ ° A = _____ °</p>	<p>2.</p> <p>A = _____ °</p>
<p>3.</p> <p>B = _____ °</p>	<p>4.</p> <p>B = _____ °</p>
<p>5.</p> <p>D = _____ °</p>	<p>6.</p> <p>D = _____ °</p>
<p>7.</p> <p>C = _____ °</p>	<p>8.</p> <p>B = _____ °</p>



Quadrilaterals

I can compare, classify and find unknown angles in quadrilaterals.



Calculate the missing angles:

<p>1.</p> <p>$D = \text{---} \text{---} \text{---}^\circ$</p>	<p>2.</p> <p>$D = \text{---} \text{---} \text{---}^\circ$</p>
<p>3.</p> <p>$A = \text{---} \text{---} \text{---}^\circ$</p>	<p>4.</p> <p>$B = \text{---} \text{---} \text{---}^\circ$</p>
<p>5.</p> <p>$C = \text{---} \text{---} \text{---}^\circ$</p>	<p>6.</p> <p>$A = \text{---} \text{---} \text{---}^\circ$</p>
<p>7.</p> <p>$D = \text{---} \text{---} \text{---}^\circ$</p>	<p>8.</p> <p>$B = \text{---} \text{---} \text{---}^\circ$</p>

Quadrilaterals Answers

★	Question	Answer	Question	Answer
	1.	$C = 70^\circ$	2.	$D = 120^\circ$
	3.	$B = 100^\circ$	4.	$A = 50^\circ$
	5.	$D = 150^\circ$	6.	$C = 40^\circ$
	7.	$A = 60^\circ$	8.	$B = 80^\circ$

★★	Question	Answer	Question	Answer
	1.	$D = 95^\circ$	2.	$A = 65^\circ$
	3.	$B = 80^\circ$	4.	$B = 135^\circ$
	5.	$D = 105^\circ$	6.	$D = 75^\circ$
	7.	$C = 120^\circ$	8.	$B = 70^\circ$

★★★	Question	Answer	Question	Answer
	1.	$D = 103^\circ$	2.	$D = 83^\circ$
	3.	$A = 97^\circ$	4.	$B = 70^\circ$
	5.	$C = 138^\circ$	6.	$A = 155^\circ$
	7.	$D = 134^\circ$	8.	$B = 63^\circ$